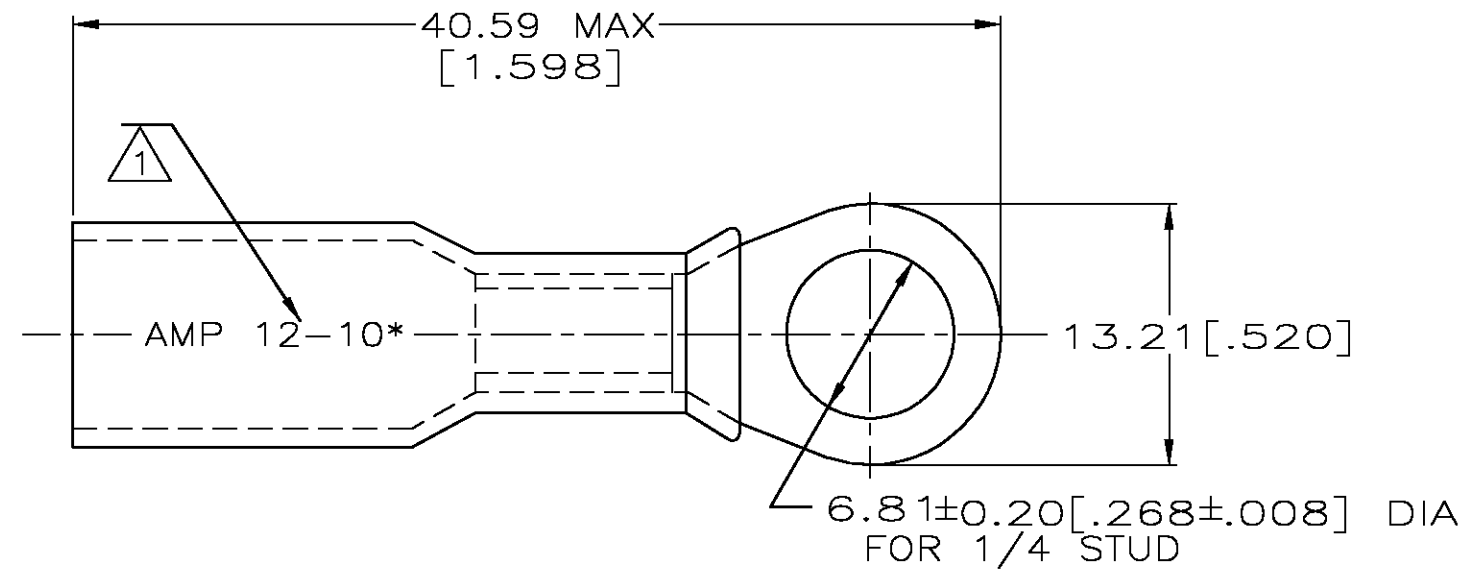


THIS DRAWING IS UNPUBLISHED. RELEASED FOR PUBLICATION .19  
 © COPYRIGHT 19 BY AMP INCORPORATED. ALL INTERNATIONAL RIGHTS RESERVED.

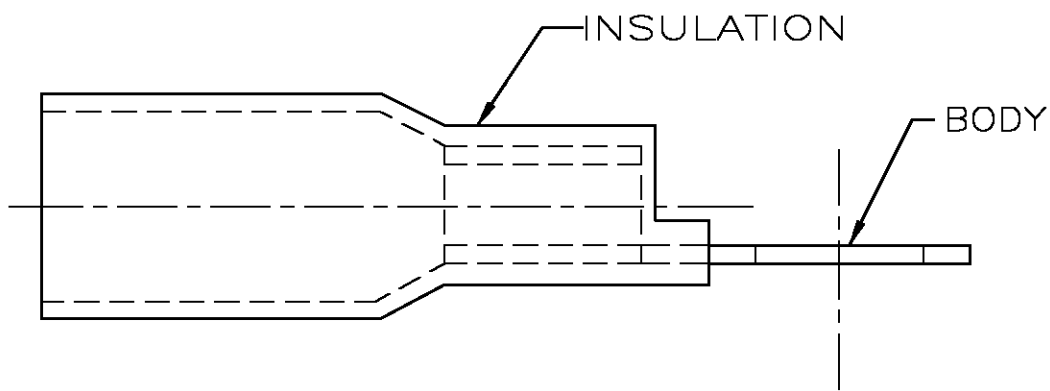
LOC	DIST	P	F	REVISIONS			DATE	APPD
G	14			ZONE	LTR	DESCRIPTION		
					B	REV PER 0G3A-0001-03	07JAN03	JR ME

<b>AMP</b> WIRE RANGE	Listed	Certified
12-10 AWG STRADED	12-10 AWG STRADED	12-10 AWG STRADED

**METRIC**  
 DIMENSIONS LISTED IN mm [ INCHES ]



- NOTES:  
 1. STAMP AMP 12-10\* APPROX AS SHOWN  
 2. WIRE INSULATION DIA 6.10mm [.240] MAX  
 3. TONGUE MATERIAL THK 1.02±0.05mm [.040±.002]



<b>AMP INCORPORATED CUSTOMER SERVICE SYSTEMS</b>	
FOR ADDITIONAL PRODUCT INFORMATION OR COPIES OF DRAWINGS AND TECHNICAL DOCUMENTS	PRODUCT INFORMATION CENTER 1-800-522-6752
FOR APPLICATION TOOLING INFORMATION	TOOLING ASSISTANCE CENTER 1-800-722-1111
FOR ORDER ENTRY	1-800-526-5142

MAX RECOMMENDED OPERATING  
TEMPERATURE:  
125° C MAX

VOLTAGE RATING:  
600V MAX (BUILDING WIRING)  
1000V MAX (FIXTURES & SIGNS)

CIRCULAR MIL AREA:  
2.62-6.64mm<sup>2</sup> [5180-13100]  
STRADED

DO NOT SCALE PRINT.  
UNLESS SPECIFIED  
DIMENSIONS IN mm [INCHES]  
TOLERANCES ON:  
2 PLC DEC ± 0.20[.008]  
3 PLC DEC ± -  
ANGLES ± -

MATERIAL  
BODY: ETP COPPER  
INSULATION: POLYOLEFIN  
COLOR: YELLOW

FINISH  
EDP TIN PLATED

25	LOOSE PIECE	8-55858-3
500	LOOSE PIECE	55858-1
QTY	PACKAGE TYPE	PART NO
DR 6/93 S S GOULDEN	<b>AMP</b> AMP Incorporated Harrisburg, PA 17105-3608	
CHK 6/93 R HERSEY	NAME TERMINAL, RING TONGUE, SEALABLE HEAT SHRINKABLE	
APPD 6/93 B BARE	SIZE <b>B</b>	CAGE CODE 00779
APPD 6/93 M ELLIS	DRAWING NO <b>C-55858</b>	SHEET 1 OF 1
PRODUCT SPEC -	SCALE NTS	
APPLICATION SPEC -		
WEIGHT -		